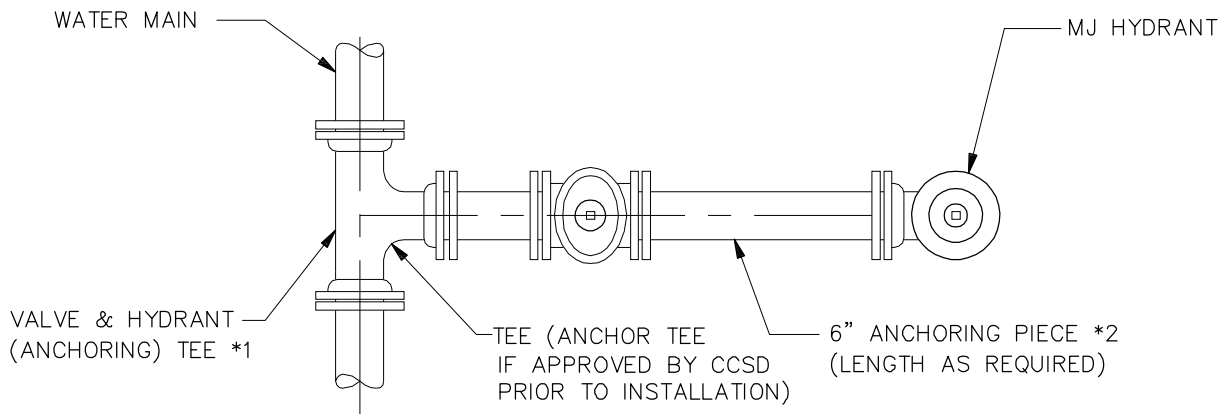



CURBED ROADWAYS



- *1. ALTERNATE: MJTEE AND ANCHORING COUPLING
- *2. ALTERNATE: PLAIN END PIPE AND "MEGALUG" RETAINER GLANDS

HYDRANT PERPENDICULAR TO THE MAIN

	VILLAGE OF INDIAN HILL DEPARTMENT OF WATER WORKS	STANDARD HYDRANT SETTINGS	DRAWING NO. WW-123
	APPROVED <i>[Signature]</i> DATE February 2013		