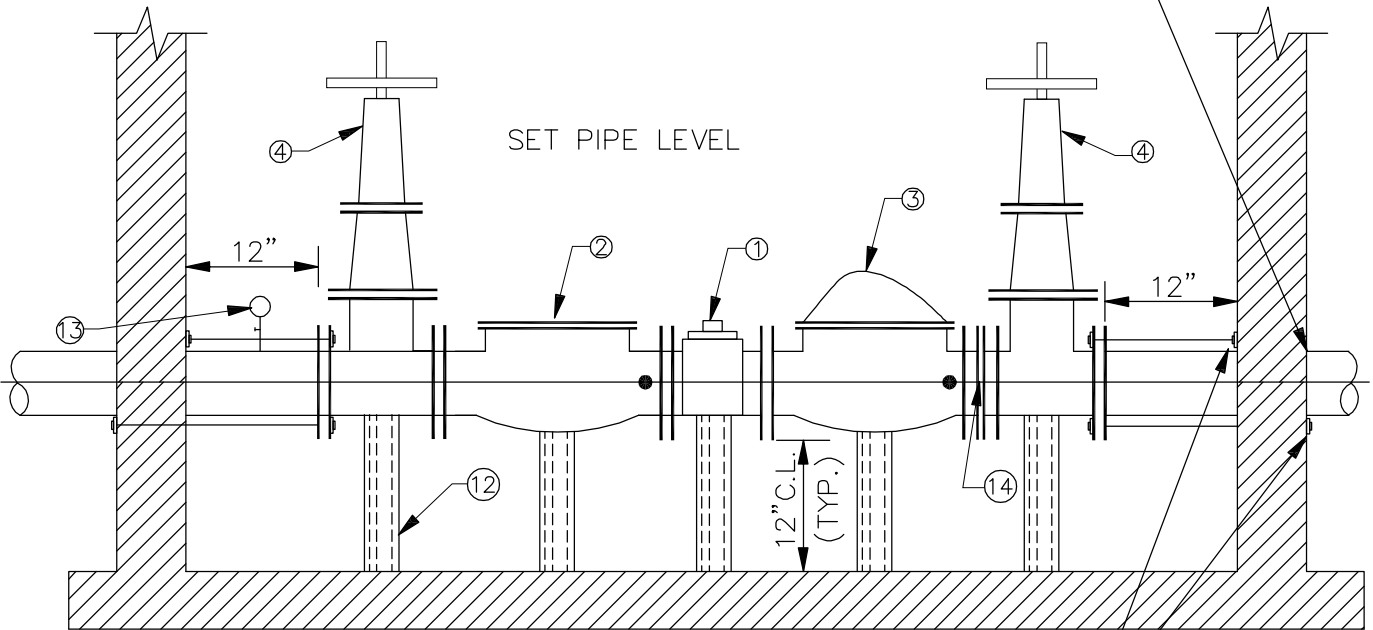


1/4" EXP. JT. MATERIAL AROUND
PIPE. GROUT OPENING



TIE RODS TO OR
THROUGH WALL

SECTIONAL ELEVATION

PIPING LEGEND

- | | |
|---|--|
| ① FIRE LINE METER, UL-FM LISTED. | ⑧ TEST ASSEMBLY-SEE DETAIL. |
| ② STRAINER, UL-FM LISTED. | ⑨ 90° ELL. |
| ③ DOUBLE DETECTOR CHECK VALVE, UL-FM LISTED. | ⑩ NIPPLES AS REQUIRED. |
| ④ GATE VALVE, OUTSIDE SCREW AND YOKE, UL-FM LISTED. | ⑪ INSULATED STEEL COMPRESSION COUPLINGS. |
| ⑤ BYPASS METER. | ⑫ METER AND VALVE SUPPORTS. |
| ⑥ BALL VALVE WITH LOCKING HANDLE. | ⑬ PRESSURE GAUGE. |
| ⑦ CHECK VALVE. | ⑭ DISMANTLING JOINT COUPLING (ROMAC INDUSTRIES, INC. STYLE DJ 405 OR APPROVED EQUAL) |



VILLAGE OF INDIAN HILL
DEPARTMENT OF WATER WORKS

APPROVED *[Signature]*
DATE February 2013

STANDARD
FIRE LINE METER

DRAWING NO.

WW-140